



Read these instructions before commencing installation. Please give these instructions to the owner/occupier after installation to retain for future reference/maintenance.

Available Rims: White, Chrome, Satin Chrom, Black or Matt Gold

IP54 IK05 0.3m 240V~50Hz 30W or 40W

These fittings are Class II and do not need an Earth.

**Important Information**

It is recommended that these luminaires are installed and fitted by a qualified electrician ensuring the installation complies with current IEE wiring regulations & local building control. These products are designed for connection to a 240V~50Hz supply.

Any faulty, broken or damaged luminaires should be replaced immediately.

KSR will not accept responsibility for any claims arising from a poor installation.

Please Note: The limited warranty shall be deemed null and void in the following circumstances: Failure by the installer, end user or any third party to exercise caution to protect any covered product or part from outside damage, adverse temperature (normal operating ambient temperature 0°C - +30°C), humidity conditions, fluctuations in the electrical system or physical abuse as well as failure related to workmanship in the installation of the products or parts.

**Important User Advice**

Indoor Use Only, Always switch off mains supply before servicing.

Do not use Megger or similar high voltage instruments. Due to the fact this luminaire contains electronic components that maybe damaged by high test voltages, they must be disconnected from the circuit before testing.

To prevent damage to the driver, do not mix with conventional magnetic ballasts on the same electrical circuit.

At the end of life the luminaire is classed as WEEE under directive 2014/30/EU and should be disposed of in accordance with local legislation.

**Installation Procedure**

Isolate mains supply before installation.

Loosen locking screw located on side wall of body

With screw loosened twist diffuser anti clockwise and remove.

Pass intended supply cable(s) through the grommet ensuring a good quality seal around the cable(s) to preserve the IP54 rating never pass 2 cables through the same hole in the grommet as this will allow moisture to enter the luminaire through the gap between the cables reducing the IP rating to IP20.

Ensure the fixing surface is flat and even.

Fix base to the wall or ceiling (Fig.1) using adequate fixings with regard to the type of substrate.

Ensure incoming cables are protected.

Terminate wiring as per Fig. 2

Select Wattage using the Switch on the Driver (Fig.3) & Select LED colour required using the toggle switch Fig. 4 on the LED board: Please Note never change the LED colour with the luminaire powered on as this can damage the luminaire. Make sure the seal is in place in the diffuser and undamaged.

Replace the diffuser re-secure with a clockwise twist followed by tightening the locking screw.

Turn on the mains supply and test luminaire.

If using an optional rim clip the rim over the diffuser.

\*Please note: Depending on the amount of fittings on a circuit you may have to upgrade the breaker to a 'C' or 'D' type to avoid nuisance tripping.

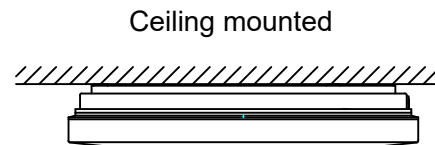


Fig. 1

Wall mounted

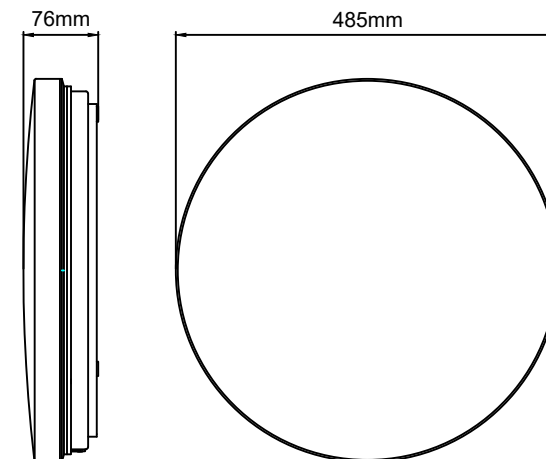
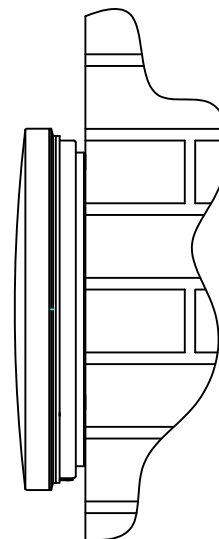


Fig. 2

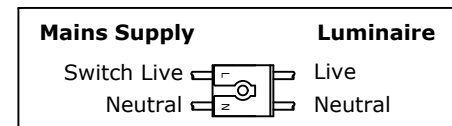


Fig. 3

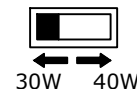
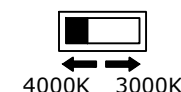


Fig. 4



**Lamp Details**

Lamp: LED  
Wattage: 30W or 40W  
Colour: 3000K or 4000K  
CRI: Ra>80

Wattage	Lumen output	
	3000K	4000K
30W	2875lm	3045lm
40W	3675lm	3905lm

*This product contains a light source of energy efficiency class F  
The LED light source and Control Gear in this product can be replaced by a professional.*

